

Product Features

BRT-V490 is an electronic delay-off module which is to be used together with a traditional mechanical ON/OFF switch and enable it to have automatic delay-off timer function. Designed for easy installation and retrofit, it directly sits behind the traditional ventilation fan switch panel. It has wide applications at various locations such as kitchen, hotels, washing room, etc.

Technical Parameters

Rated Voltage: 220 ~ 240V /50Hz

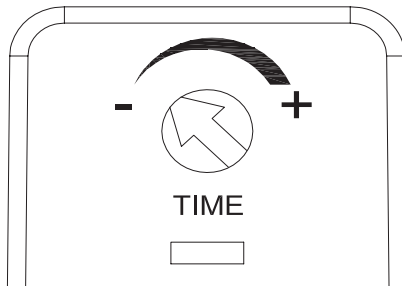
Maximum Load Power: 100W

Operating Temperature:-10°C ~ 50°C

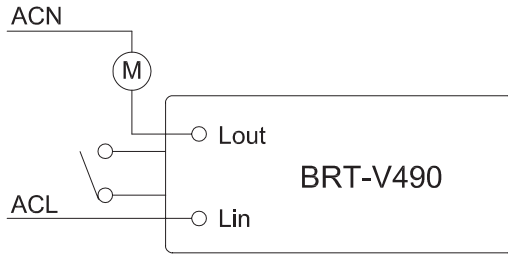
Standby Power: ≤0.3W

Operational Guide

1. Wiring according to the diagram. Please wait for 3 seconds for initialization.
2. When you turn on the wall switch, the ventilation fan will run instantly. When you turn off the wall switch, the ventilation fan will stop running at preset delay off time.
3. Rotate the potentiometer "TIME" using a screw drive to adjust the delay-off time from 2 minutes to 40 minutes. Turning counterclockwise to clockwise can change the minimum value to the maximum value.



Wiring Diagram



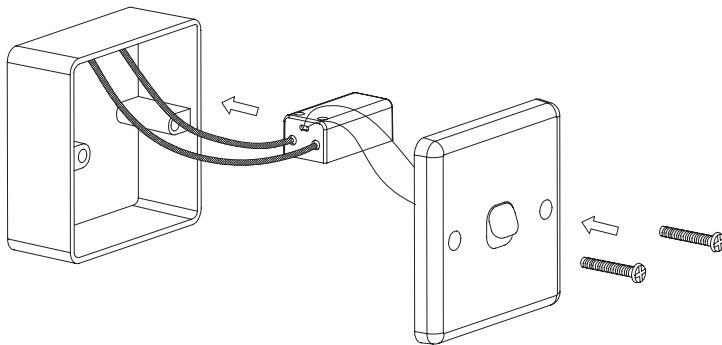
Installation Guide

There are three easy steps:

Step one: Use a screwdriver to pry off the front plate of the mechanical switch, Wiring according to the diagram and the labeled ports of the switch.

Step two: Adjusting the potentiometer to set delay off time as desired.

Step three: Install the switch to the wall box using screws and put back the front plate.



Caution

Installation must be done by qualified personnel only. Follow instructions to avoid electric shock.

210111